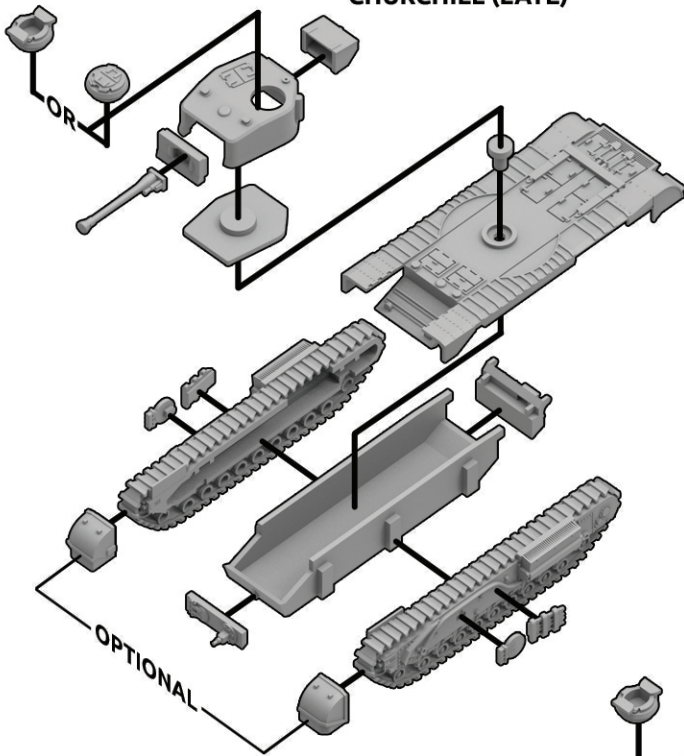
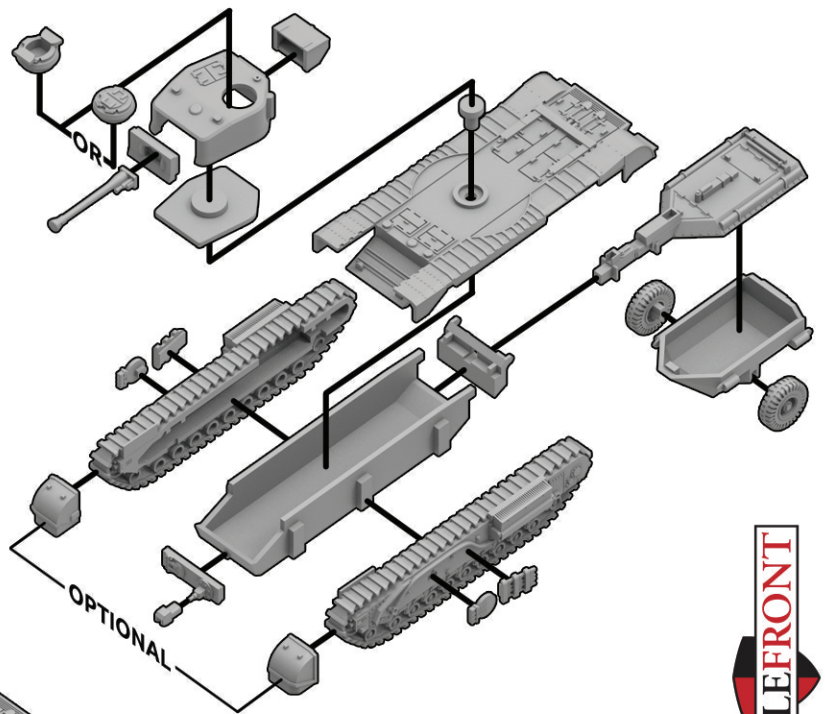


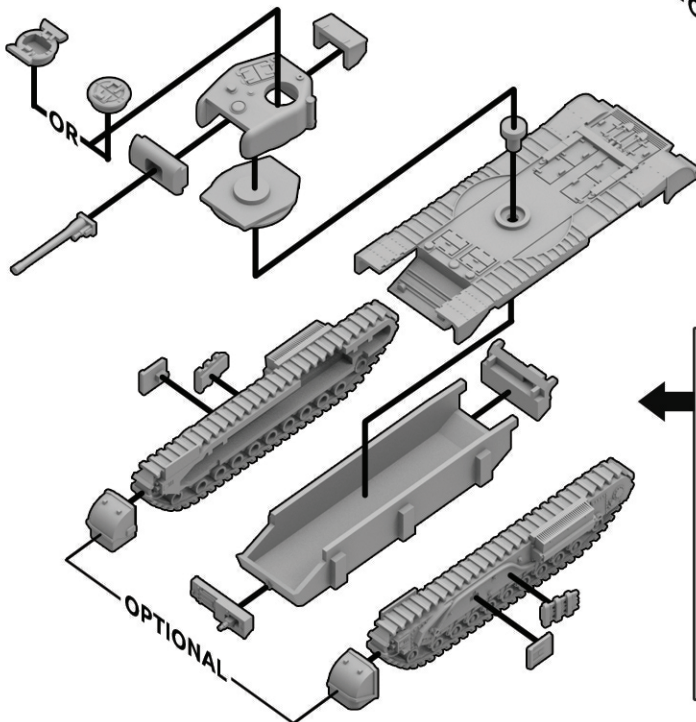
**CHURCHILL (LATE)**






**CHURCHILL CROCODILE**



**CHURCHILL (6 PDR)**



**OPTIONAL BUILDS FOR CHURCHILL**

-  CHURCHILL (95MM)
-  AVRE
-  CHURCHILL (75MM)