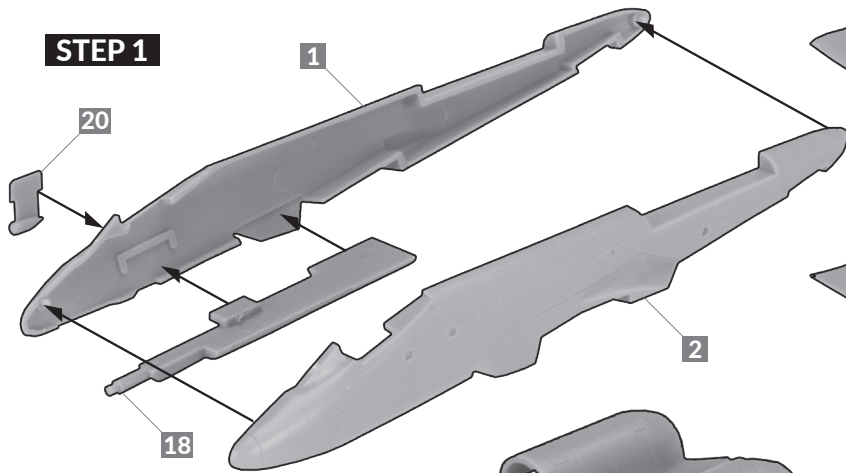
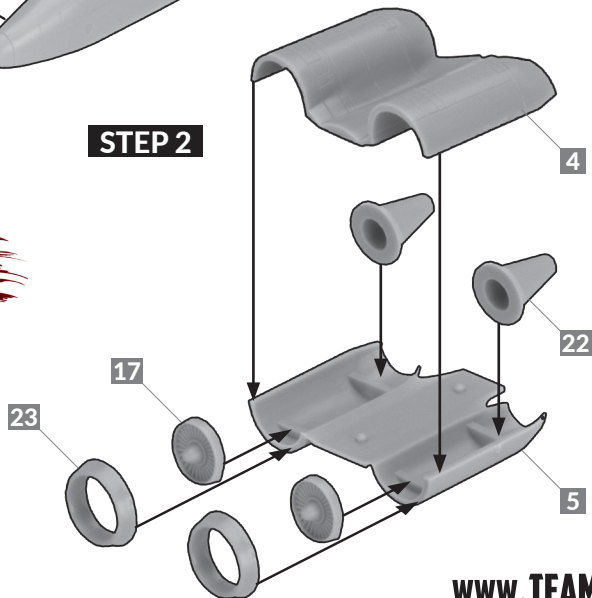


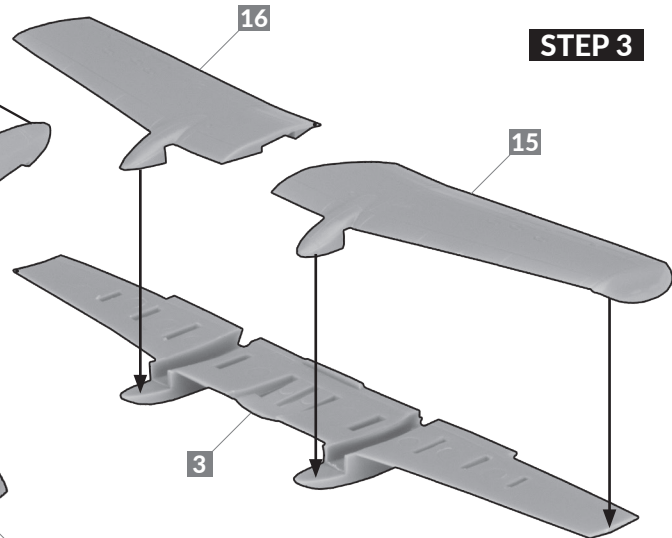
**STEP 1**



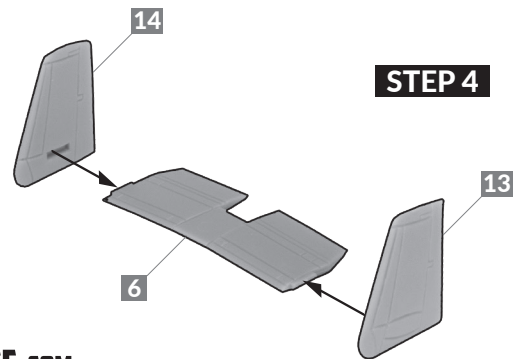
**STEP 2**



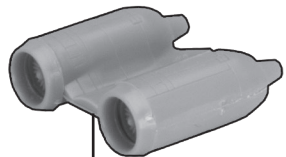
**STEP 3**



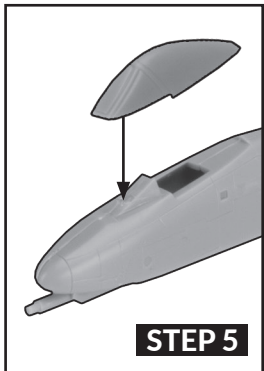
**STEP 4**



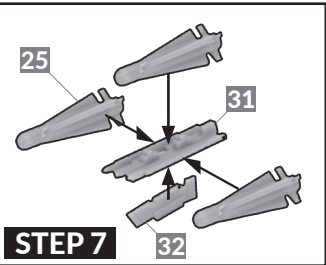
**STEP 6**



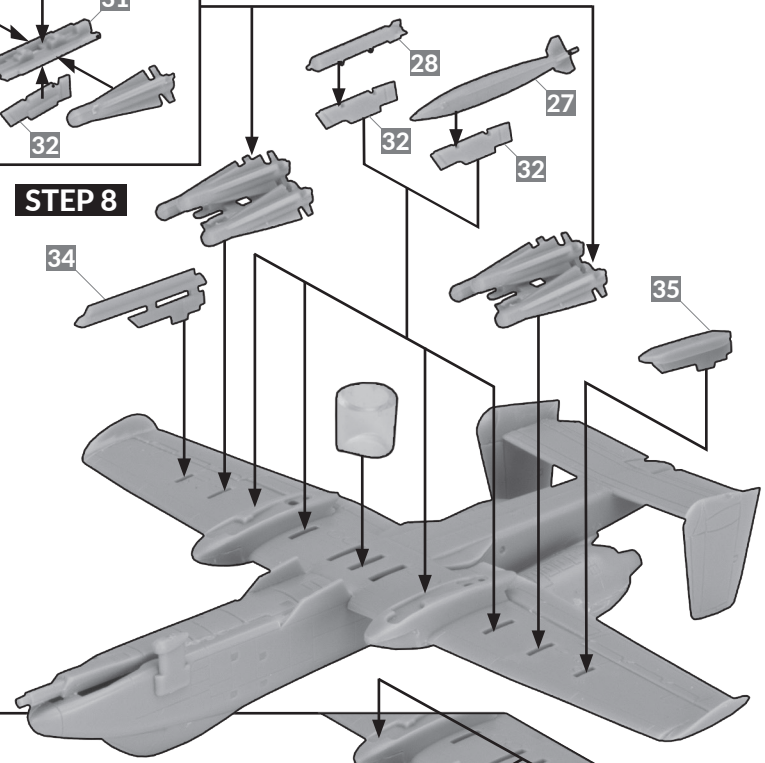
**STEP 5**



**STEP 7**



**STEP 8**



**STEP 9**

You need to use Superglue for the undercarriage and wheels.

